

# TGH Triplex Well Servicing Pump

## WELL SERVICING

400 HP, 8" Stroke for Intermittent Service

Gardner Denver TGH heavy-duty well servicing pumps are built for outstanding performance in a rugged environment.

- Eccentric construction
- Right or left-hand drive extension
- Pressure lubrication of power end
- Clamp type connections between plungers and push rods
- Bolted type stuffing boxes
- Non-adjustable type packing
- Suction and discharge on either side
- Total gear ratio: 10:15 to 1 (standard)

### PERFORMANCE RATINGS – INTERMITTENT SERVICE

| Pump RPM                    | Input RPM | PISTON* DIAMETER |      |           |        | PLUNGER OR PISTON* DIAMETER |       |           |        |           |       |           |        |
|-----------------------------|-----------|------------------|------|-----------|--------|-----------------------------|-------|-----------|--------|-----------|-------|-----------|--------|
|                             |           | 5 IN             |      | 172 MM    |        | 4 1/2 IN                    |       | 114 MM    |        | 4 IN      |       | 102 MM    |        |
|                             |           | GPM              | PSI  | LPM       | KG/CM2 | GPM                         | PSI   | LPM       | KG/CM2 | GPM       | PSI   | LPM       | KG/CM2 |
| 175                         | 1776      | 357.0            | 1632 | 1351      | 114.7  | 289.2                       | 2015  | 1095      | 141.7  | 228.5     | 2551  | 865       | 197.4  |
| 150                         | 1522      | 306              | 1904 | 1158      | 133.9  | 247.8                       | 2351  | 938       | 165.3  | 195.8     | 2976  | 741       | 209.2  |
| 125                         | 1268      | 255              | 2285 | 965       | 160.7  | 206.5                       | 2822  | 782       | 1984   | 163.2     | 3571  | 618       | 251.1  |
| 100                         | 1015      | 204              | 2857 | 772       | 200.9  | 165.2                       | 3527  | 625       | 248.0  | 130.6     | 4464  | 494       | 313.9  |
| 75                          | 761       | 153              | 3809 | 579       | 267.8  | 123.9                       | 4703  | 469       | 330.7  | 97.9      | 5952  | 371       | 418.5  |
| 50                          | 507       | 102              | 4000 | 386       | 281.2  | 82.6                        | 7054  | 313       | 496.0  | 65.3      | 8928  | 247       | 627.7  |
| 34                          | 345       | 69.4             | 4000 | 263       | 281.2  | 56.2                        | 10000 | 213       | 703.1  | 44.4      | 10000 | 168       | 703.1  |
| Displacement per Revolution |           | 2.040 GAL        |      | 7.722 LIT |        | 1.652 GAL                   |       | 6.254 LIT |        | 1.306 GAL |       | 3.922 LIT |        |

Based on 85% mechanical efficiency and 100% volumetric efficiency.

\*Piston and liner construction available in 2 3/4", 3", 3 1/2" and 4" only.

\*\*The duty cycle of a pump rated for intermittent duty is not to exceed 30 minutes at loads above the maximum established for continuous running followed by an equal period at no load.

Note: Use plungers/packing for acid service or pressures in excess of 4,000 PSI. Pistons/liners are not recommended for these applications.

**Gardner  
Denver**  
**Pumping Perfected.™**

# TGH Triplex Well Servicing Pump

## STANDARD FEATURES

- Colmonoy plungers and packing or piston and liner construction
- Hardened forged steel dual stem guided valves with urethane inserts
- Three piece block steel fluid cylinders
- Fabricated suction and discharge openings
- Lubricating oil pump and filter
- External gear reduction
- Auxillary crosshead lubrication system
- Cast iron suction manifold
- Companion flanges on suction discharge
- Water to oil heat exchanger

## OPTIONAL FEATURES

- Mechanical lubricator for plunger stuffing box packing
- Suction and discharge surge chambers
- Relief valve
- Fabricated steel skid and motor or engine
- Rod washing system (mounted only on unitized packages)
- Fabricated suction manifold
- Hardened steel plungers

**CRANKCASE OIL CAPACITY:** 30 gallons (114 liters)

**SUCTION OPENING:** 6" (152 mm) 150# welding flange

**DISCHARGE CONNECTION:** 2 9/16" (66 mm) weld neck API 10,000# PSI beveled for welding either side

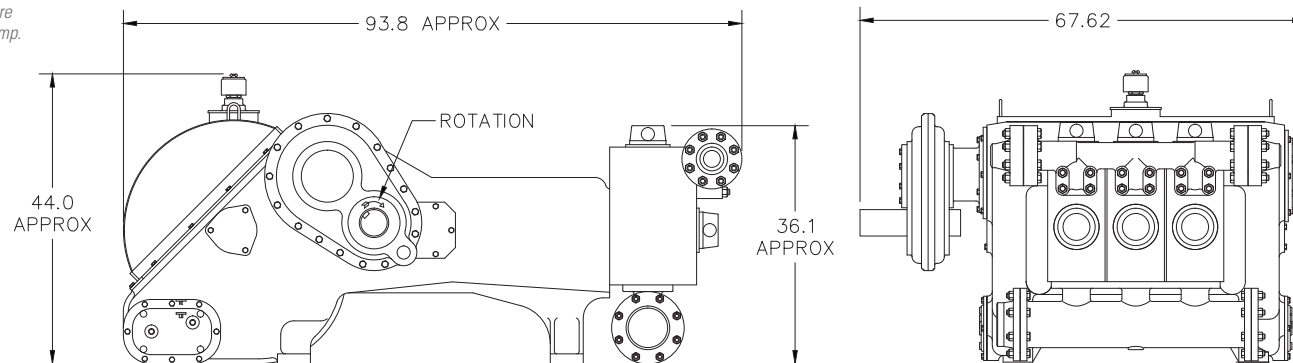
**LENGTH:** 93.2" (1230mm)

**HEIGHT:** 51.5" (1310mm)

**WEIGHT:** Dry, less optional skid: 9,360 lbs (4,246 kg)

## SPECIFICATIONS

*Note: All installations must contain a pressure relief valve in the discharge line near the pump.*



## CONNECT WITH US: