

GD Quintuplex Fluid End



No Equal, No Question

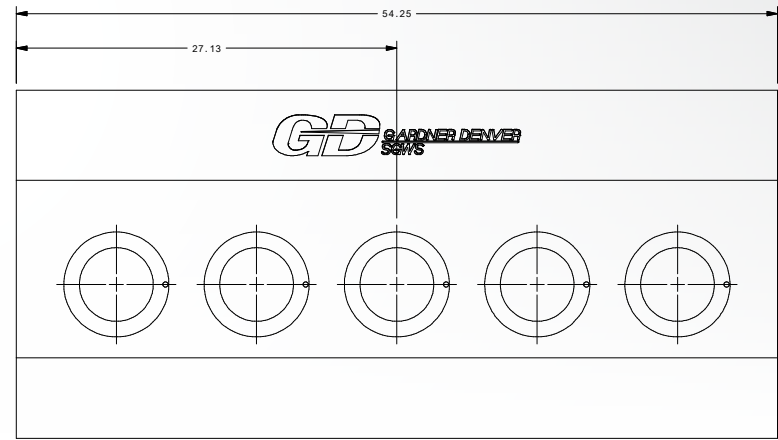
Gardner Denver fluid ends are built to last, accommodating a wide range of reciprocating, quintuplex stimulation and fracturing pumps. Proprietary autofrettage techniques maximize the strength and thereby extend the life of the fluid end, resulting in a product that lasts up to 3 times longer than our competitors. And Falcon Technology makes service a breeze. We also offer a stainless-steel fluid end that lasts 4 to 6 times longer than carbon steel, dramatically boosting your productivity.

**Gardner
Denver**

Pumping Perfected.™

GD Quintuplex Fluid End

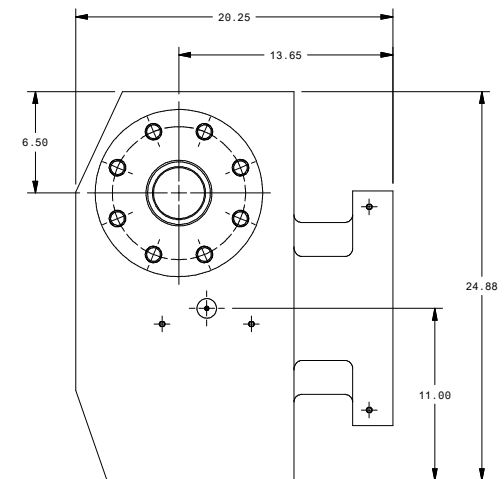
SPECIFICATIONS



GD Quintuplex FEATURES & BENEFITS

- Machined in-house from domestically sourced steel
- Available with Falcon Technology
- Available in valve-over-valve and Y-style crossbore design
- Utilizes proprietary autofrettage techniques to maximize strength and extend the life of the fluid end
- Lasts 3 times longer than competitors
- Available in stainless steel, which lasts 4 to 6 times longer than carbon steel
- Availability in less than ten days
- Sizes offered range from 3.75" to 6.0"

SGWS 2500Q	
Cylinder Size	Valve Family
3.75"	P4
4.0"	P4
4.5"	P5
5.0"	P5
5.5"	P5
6.0"	P5
6.75"	P6



CONNECT WITH US :