

## GD Triplex Fluid End



### Longer Life for Lower Cost of Ownership

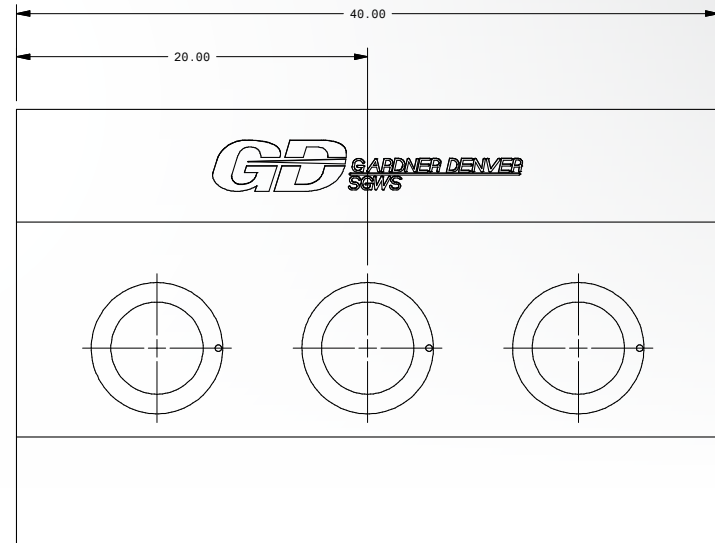
Gardner Denver designs and manufactures fluid ends to accommodate a wide range of reciprocating, triplex well-service pumps. By applying proprietary autofrettage techniques, we maximize the strength and thereby extend the life of the fluid end during field use, resulting in a product that lasts up to 3 times longer than our competitors. We also offer a stainless-steel fluid end that lasts 4 to 6 times longer than carbon steel, eliminating corrosion issues and dramatically boosting your productivity.

**Gardner**  
**Denver**

**Pumping Perfected.™**



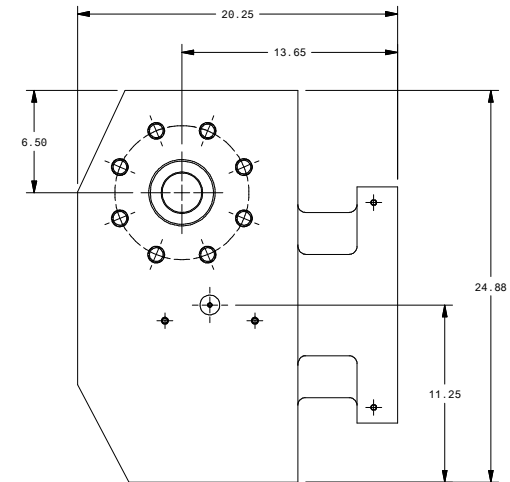
## SPECIFICATIONS



## GD Triplex FEATURES & BENEFITS

- Machined in-house from domestically sourced, individually forged, heat treated alloy steel
- Utilizes proprietary autofrettage techniques to extend the life of the fluid end
- Carbon steel lasts 3 times longer than competitors
- Falcon Technology for improved serviceability
- Available in stainless steel, which lasts 4 to 6 times longer than carbon steel
- Availability in less than ten days
- ABS/DNV certified
- Sizes offered range from 3.0" to 6.75"

SGWS 2250 TRIPLEX	
Cylinder Size	Valve Family
3.0"	P4
3.75"	P4
4.0"	P4
4.5"	P5
5.0"	P5
5.5"	P5
6.0"	P5
6.5"	P6
6.75"	P6



## CONNECT WITH US :